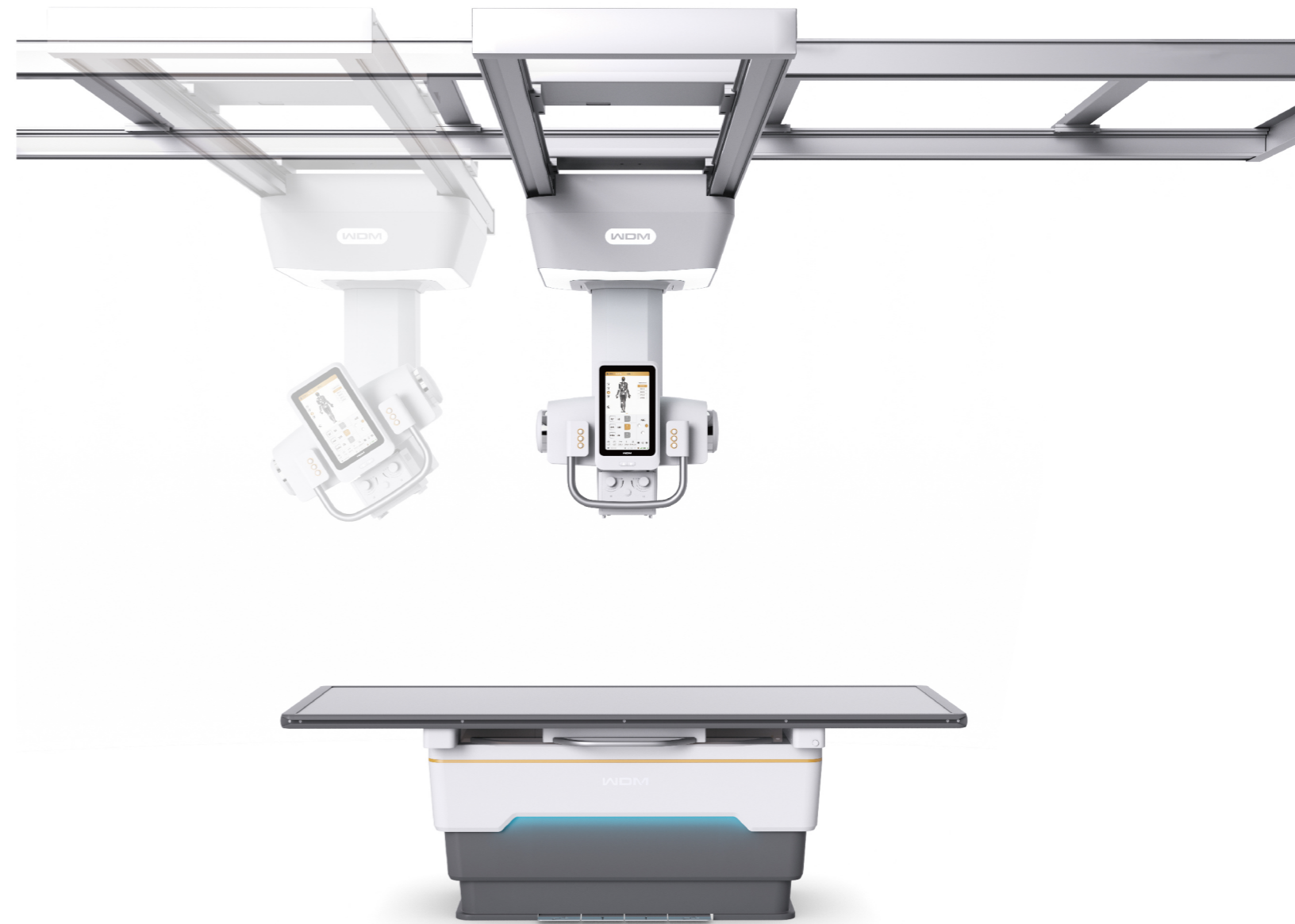


Precision & Vision



**WDM** 万东

Address: Building 3 No.9 Jiuxianqiaodong Road,

Chaoyang District, 100015, Beijing, P.R.China

Tel: +86-10-84575792/3/5/6

Fax: +86-10-84575794

Web: [www.wandong.com.cn](http://www.wandong.com.cn)

E-mail: [International@wandong.com.cn](mailto:International@wandong.com.cn)

Note: Design and specification subject to change without notice.

**NEW ORIENTAL 1000FC**

Digital Radiography System

**WDM**


# Intelligent Control



 10-axis Coordinated Moving

 6-way Synchronized Tracking

 Intelligent Control

 Visualized Manipulation



# Intelligent Navigation

Synchronized multi-dimensional moving thanks to the intelligent moving control system that enable quick shifting to pre-programmed position by just one touch and high precision positioning in a highly efficient way.



#  
Cross rail  
ceiling suspension

⊞  
Ten axis  
coordinated moving

⊞  
Table elevation

↕  
4-way floating

# Six-way synchronized moving



Chest bucky tracking

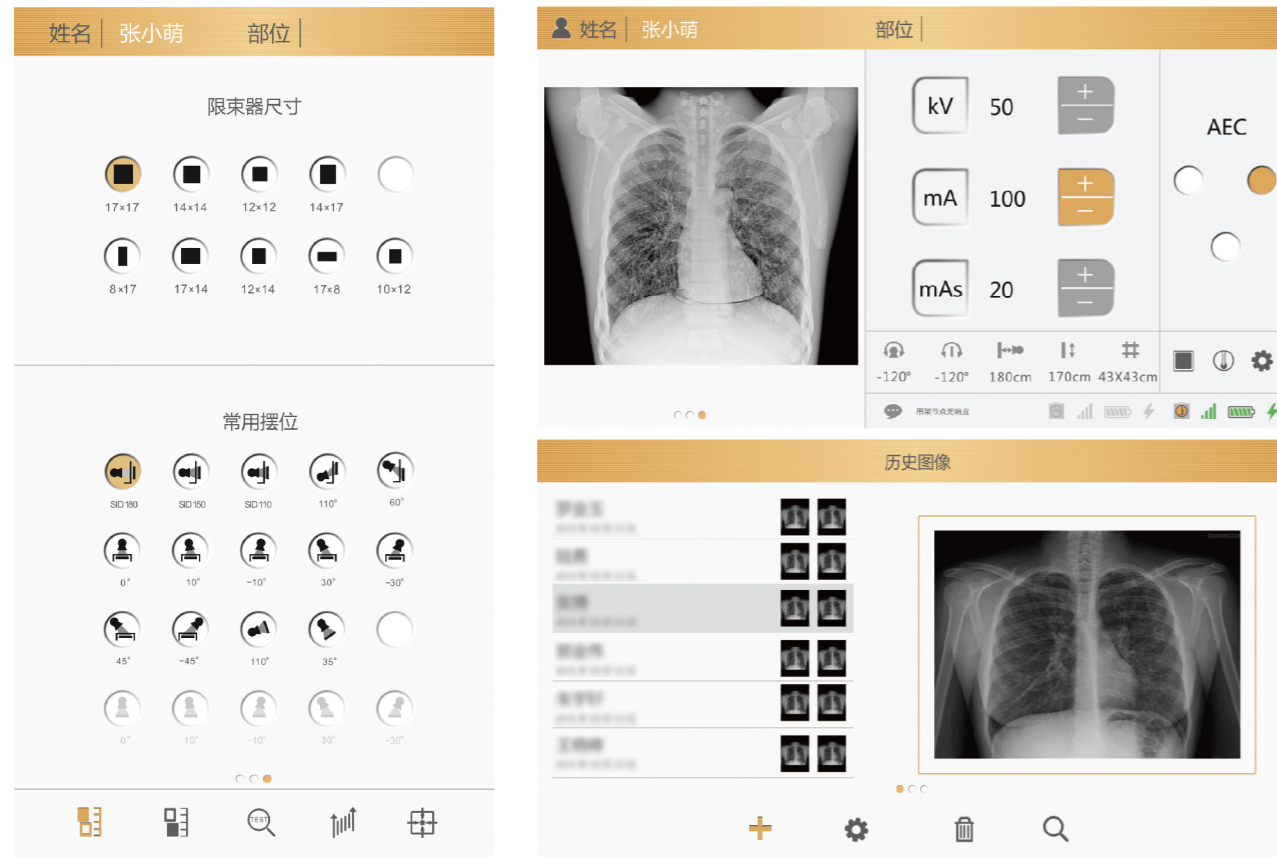


SID hold



Table bucky tracking

# Intuitive Table-side Interface



Patient Info.



APR



Exposure Data



illustrative positioning



Last Image Preview



Image Review



Safety Warning

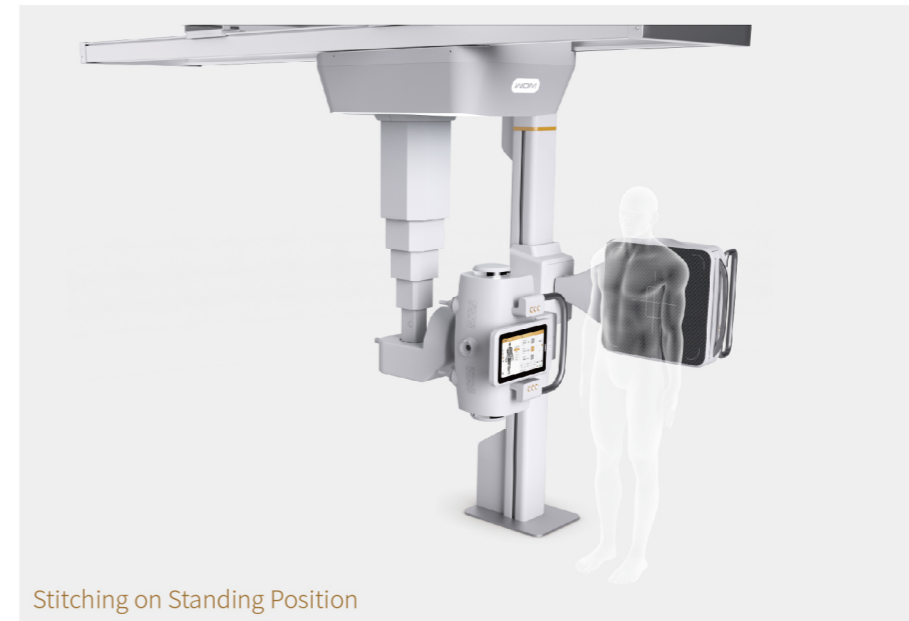


Portrait/Landscape Adaptive Display



# Fully Automatic Stitching (optional)

Stitching program with no shifting of X-ray tube focus that effectively improved success rate  
 Minimized overlapping makes the stitching length longer under the same number of exposure  
 AEC and histogram equalization algorithm are applied to acquire series of images at unified brightness and contrast level



Stitching on Standing Position



Stitching on the Table



# Latest Technology of 100um FPD

Presents more details than ever

 2.4G / 5G  
Dual-band WiFi

 3s  
Fast Imaging

 43x43cm  
Active Zone

 Low Dose

 100µm\*  
Pixel Ditch

 4K  
4Kx4K\*  
Acquisition Matrix

 Improved Experience  
For Better Clinical Practices



\* available with FPD WDF4343Rs only.  
Please refer to product offer and datasheet.

# Dual Wireless Detectors\*

More flexible and more convenient for all clinical practices.



\* Please refer to the product offer and datasheet for detailed configuration and specifications.

# Global service caring for you



## Professional team

Wandong imaging products has been installed in over 90 countries, more than 100 distributors and authorized service partners are ready to provide professional service.



## Regular maintenance

Regular maintenance by experienced and qualified engineers, guarantees the stable operation, prevents major failures, and extends the equipment life.



## 24hours online support

Quick response and remote technical support, on-line trouble shooting, spare parts inventory and quick delivery.



## Free software upgrade

Fully self-developed acquisition platform, free lifetime software upgrade, always providing you the excellent experience.